

Efficiency and fascinating free-floating effects are hallmarks of Metalwërks Arcwall wall systems. With Arcwall Ship Lap, the cut edges of the face plate material are the panels' edges, a capability in metal you can only achieve with plate.

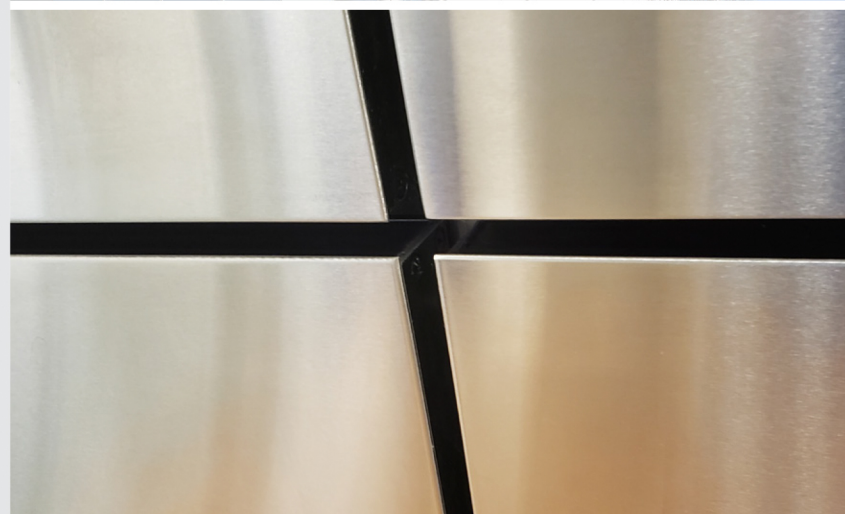
Arcwall Ship Lap features visible, but recessed, extruded frames, available in matching or contrasting colors to provide deeper reveals and contrasting shadow lines. Varying reveal options are more limited, due to the system's frame design.

Arcwall Ship Lap allows for a speedy, progressive installation with attachment only required at the long axis of the panel and no additional accessories to install. Tested to 105 psf, Ship Lap has superior pressure resistance in extreme wind load situations.

The unique Rainscreen Principle design has superior water shedding and is best utilized in horizontal panel orientations for maximum draining capacity.

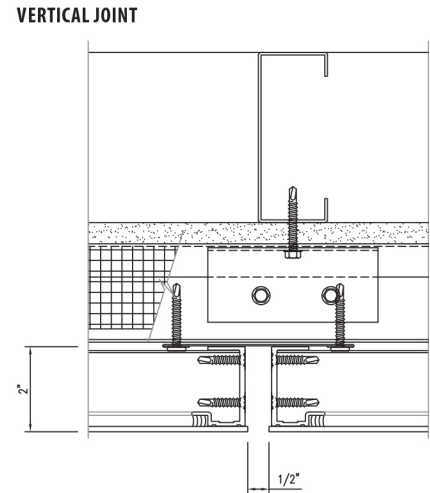
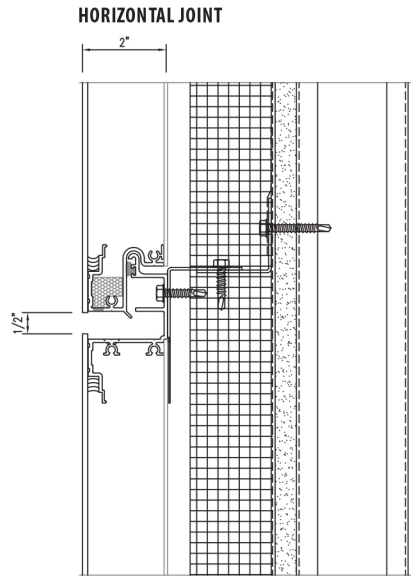
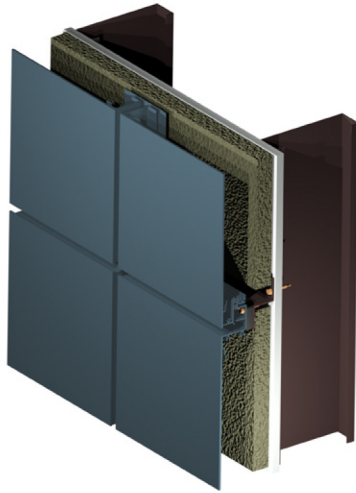
The fabrication efficiency of Arcwall, combined with Metalwërks simplified panel attachment options that speed installation, make for a highly competitive, high-end rain screen wall system. Arcwall Ship Lap panels are factory assembled with a flat plate facing, structurally adhered to an extruded aluminum panel frame and may be flat or curved. Joint sizes can be variable and reveals can use a complementary or contrasting finish.

All Arcwall systems install with concealed fasteners over continuous masonry, concrete, or as the outer cladding in a wall assembly that incorporates continuous insulation and a suitable air and water barrier. Solid metal panels are particularly useful where metal panels are used in pedestrian areas due to superior impact performance compared to other composite metal panel cladding products.



### DETAILS

- Manufactured from solid aluminum or stainless plate with extruded aluminum framing
- Ship Lap design method is specifically engineered for horizontal panel orientations and has superior water shedding and drainage characteristics
- Frame is exceptionally strong, has concealed attachment grooves along the panel length, and requires no additional clips at the panel perimeter.
- High resistance to denting and puncturing, ideal for high-traffic or abusive areas
- Mitered aluminum extrusion corners
- 0.5" (12.7 mm) standard horizontal and vertical joint with variable options
- Integrated knife plate reveals
- Floating plate appearance with deep perimeter reveals
- Adjustable furring to address variable construction tolerances and ensuring vertical sealing to air and water barrier, minimizing shims
- Non-combustible: minimal smoke or fuel contribution
- Avoids NFPA 285 complications by not using thermo-plastic cores
- All panel systems are reinforced/stiffened to resist deflection limits
- Ship Lap design has concealed horizontal gutters that weep moisture to the exterior through baffled weep holes
- Concealed fastened using corrosion-resistant self-tapping screws into an engineered screw pocket with integrated drip edge
- Concealed fasteners but panels can be individually removed
- Aluminum: post-applied finishing for long-term performance and uniform aesthetic
- As rainscreen systems rely on gravity to drain water, all skyward facing surfaces, copings, sloped conditions and all perimeters must be sealed
- 100% recyclable with high percentage of post-consumer and industrial content, which may contribute to LEED credits
- Seamless integration with other Metalwërks wall systems



### DESIGN OPTIONS

- Panels may be flat or curved
- Variable reveals: Horizontal 0.25"-4" (6.35 mm-101.6 mm) and Vertical 0.25"-6" (6.35 mm-152.4 mm). Consult Metalwërks for Arcwall joint options.
- Available with appliqué or perforated face skins
- Virtually unlimited color options for aluminum plate
- Options for #4, #6, #8, and non-directional finishes for stainless steel plate
- Matching perforated and louvered panels
- Projecting eyebrows with integrated framing can be included
- Enclosures for exposed columns, beams or pilaster features can be clad using materials and joint treatments to achieve matching aesthetics
- Ideal for flat, curved, sloped or vertical walls and soffits where the design intent is for pronounced reveals between the panel units and extremely sharp panel edges

### METAL SUBSTRATE AND FINISH OPTIONS

#### ALUMINUM

##### 3003-H14 aluminum alloy-temper

**Thickness:** 0.125" (3.18 mm) standard, 0.188" (4.78 mm), 0.25" (6.35 mm) options

**Finishes:** Kynar® or architectural TGIC Polyester powder coating

#### STAINLESS STEEL

**T304 or T316** for enhanced corrosion resistance

**Thickness:** 11 gauge (0.125") (3.18 mm) standard, 8 gauge (0.172") (4.37 mm), 7 gauge (0.188") (4.78 mm) options

**Finishes:** #4, #6, #8, and non-directional satin in smooth

### PANEL SIZES

**Widths:** 12" (305 mm) to 72" (1,829 mm)\*

**Lengths:** 12" (305 mm) to 240" (6,096 mm)\*

**Depth:** 2.25" (57.15 mm) ('Ship Lap')

\* Maximum panel size depends upon plate material, gauge, finish, and geometry

### PANEL WEIGHT RANGE

(dependent upon gauge and geometry)

**Aluminum:** 2.62 - 4.42 lbs./ft<sup>2</sup>

**Stainless Steel:** 6.32 lbs./ft<sup>2</sup> ('Ship Lap')

Ranges provided for clarification. Consult with Metalwërks for further options

### ACCESSORIES

**Flashing:** Formed aluminum or stainless steel sheet metal as required for base or penetration conditions produced from matching material/finish as panels

**Coping:** May be produced with the same material as the wall panel system

**Furring Channels:** As required for proper mounting of panels

**Perforated Panels and Louvered Vents:** For accents, screening or ventilation. Consult with Metalwërks for options.

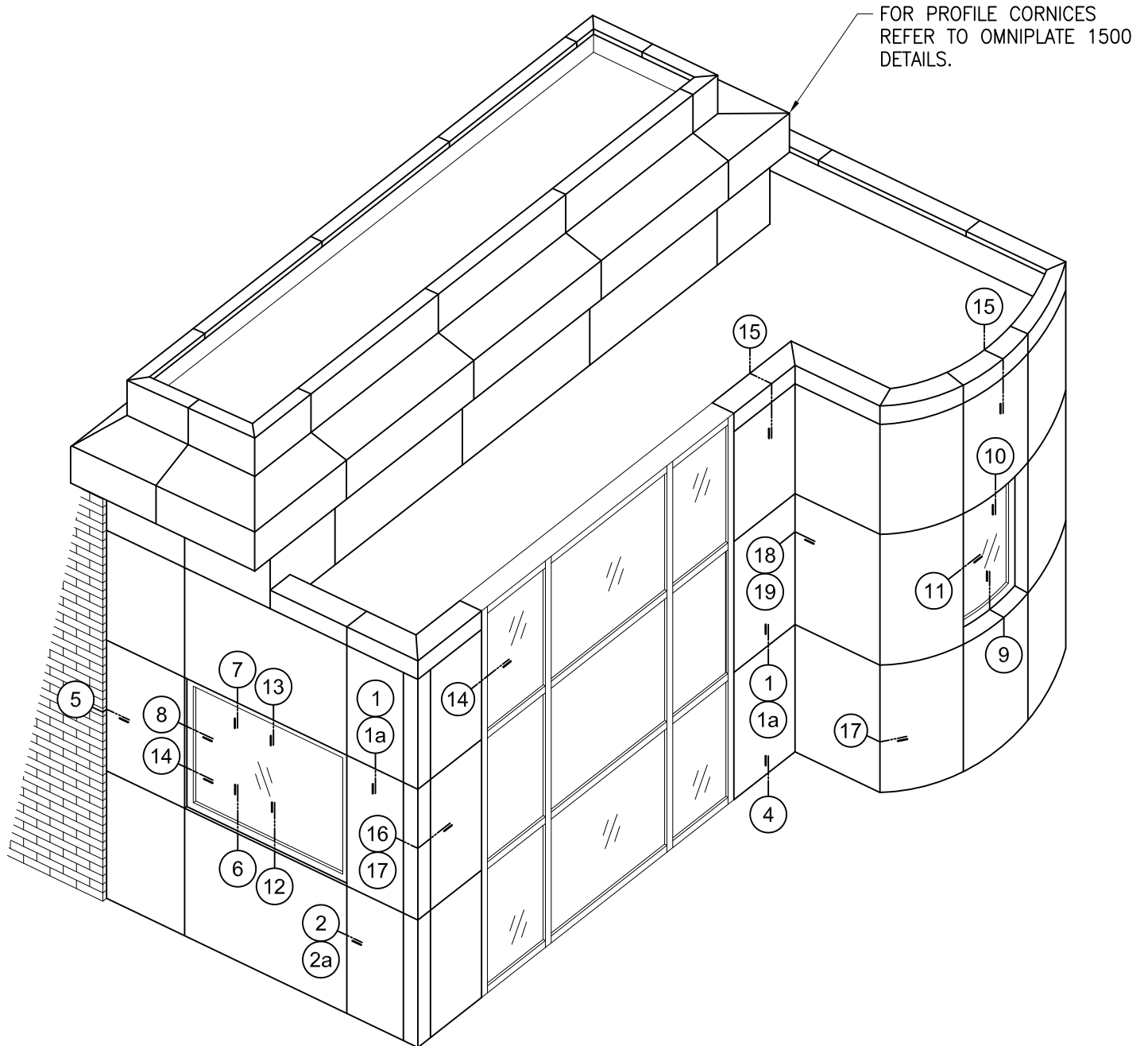
**Fasteners:** Type 304 stainless steel or cadmium-plated as recommended

**Shims:** High impact thermally-broken plastic shims to maintain co-planar surfaces

### WARRANTY

**Material & Workmanship:** 1-year standard, with 2- or 5-year options

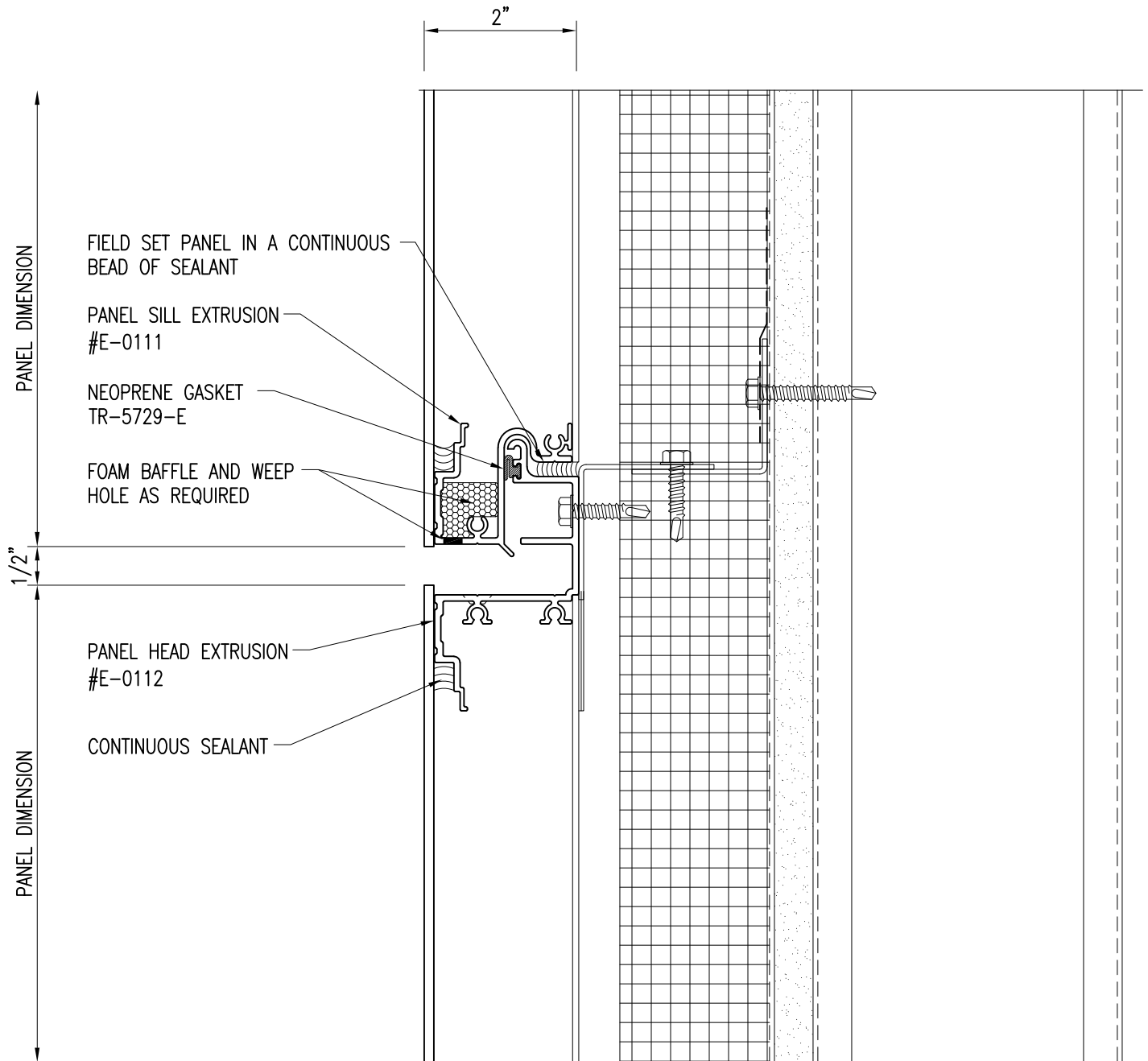
**Finish Integrity:** 10-year standard up to 20-year



## Table of Contents:

### DETAIL DESCRIPTION

- 1 Horizontal Joint
- 2 Vertical Joint
- 3 Panel Sill
- 4 Panel Jamb
- 5 Curtain Wall Sill
- 6 Curtain Wall Head
- 7 Curtain Wall Jamb
- 8 Coping
- 9 Standard Outside Corner
- 10 Outside Corner w/ Optional Mitered Panel
- 11 Standard Inside Corner

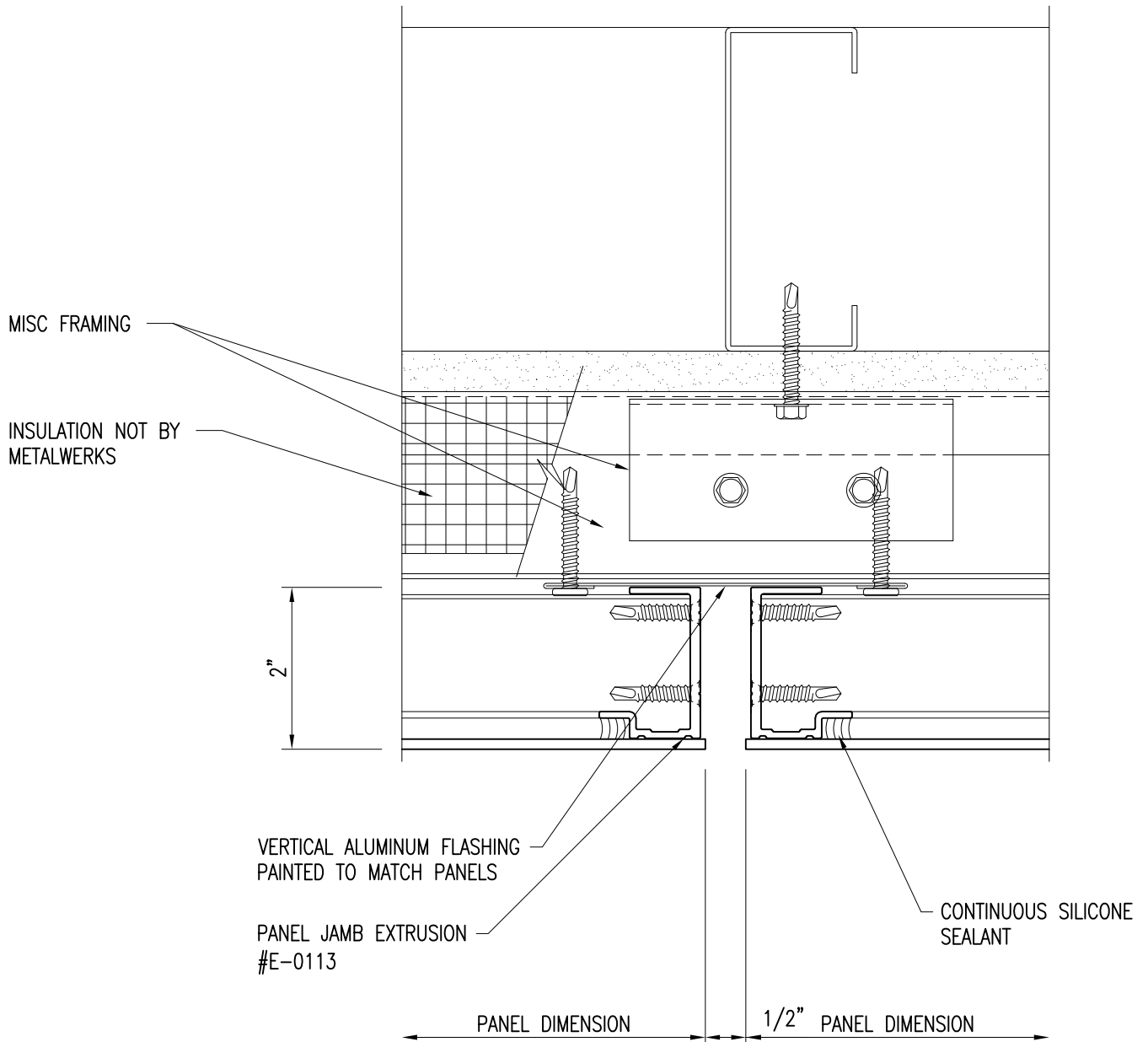


1/2" IS STANDARD HORIZONTAL REVEAL SIZE. REVEAL IS ALSO AVAILABLE AS 1 1/2" OR 2". CONSULT WITH METALWERKS FOR OTHER REVEAL SIZES

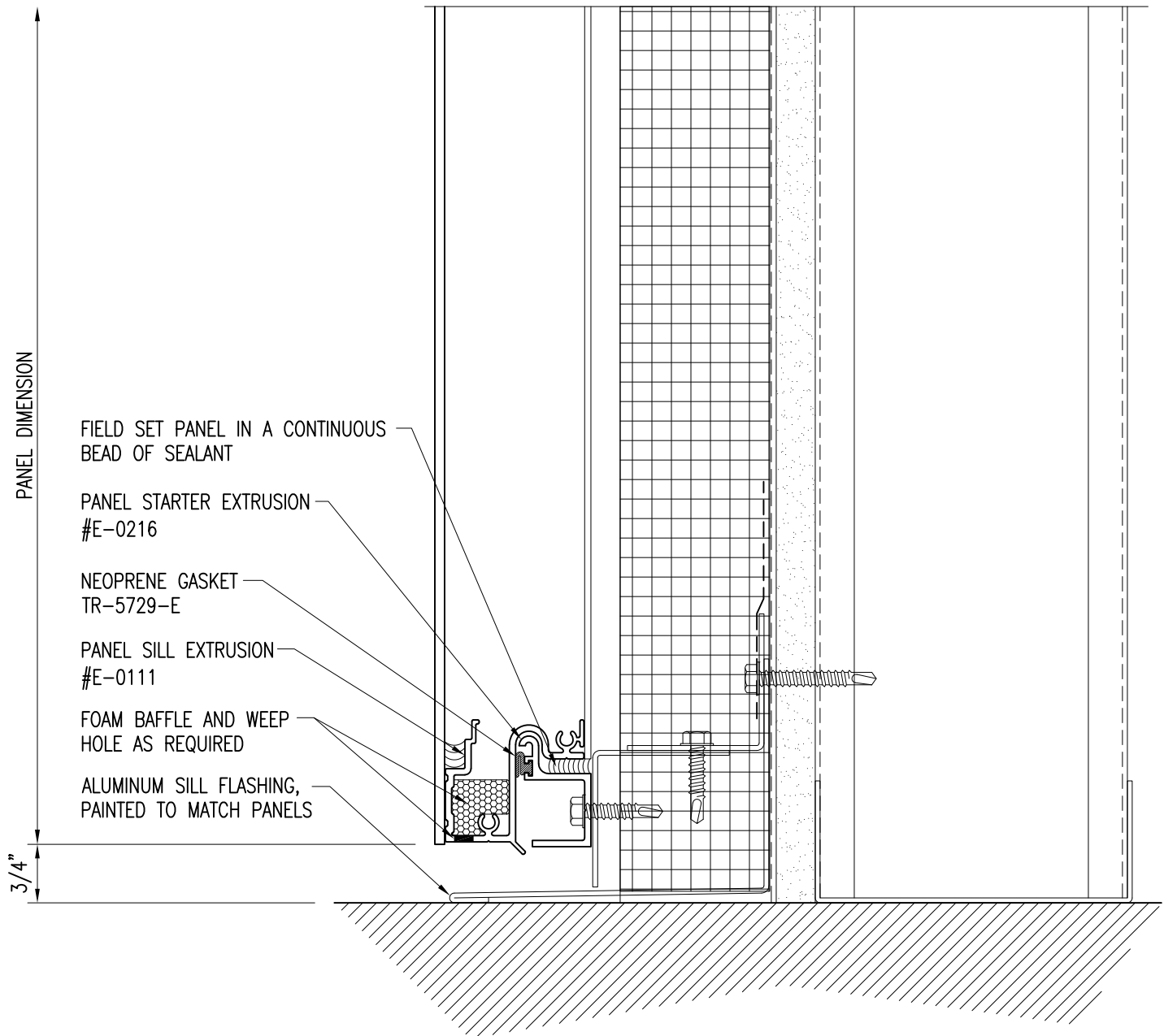
PRIMARY WALL CONSTRUCTION AND INSULATION NOT BY METALWERKS. 16 GAGE METAL STUDS MINIMUM REQUIRED

## 1) Horizontal Joint

PRIMARY WALL CONSTRUCTION AND INSULATION  
NOT BY METALWERKS. 16 GAGE METAL STUDS  
MINIMUM REQUIRED



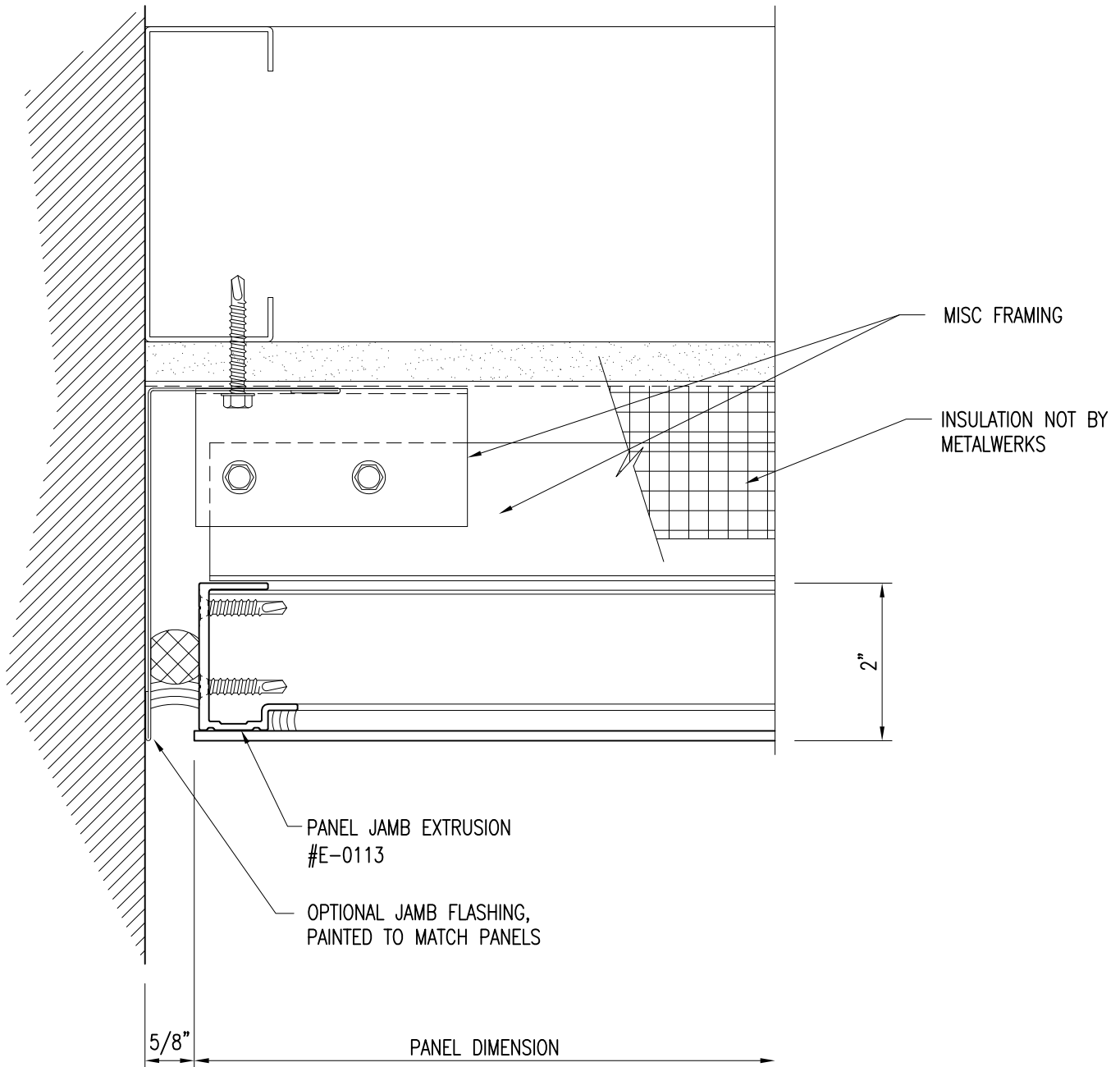
## 2) Vertical Joint



PRIMARY WALL CONSTRUCTION AND INSULATION NOT BY METALWERKS. 16 GAGE METAL STUDS MINIMUM REQUIRED

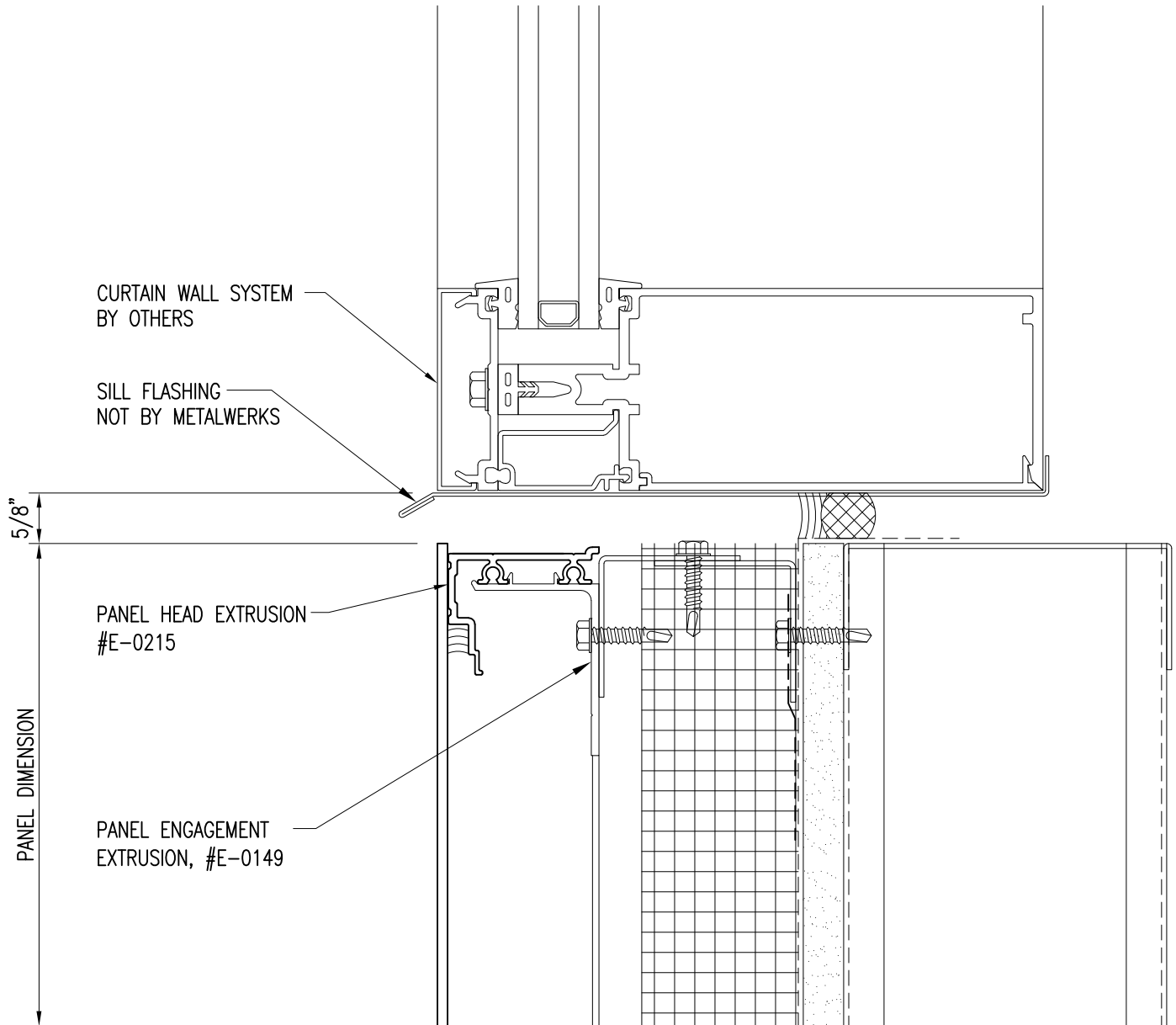
## 3) Panel Sill

PRIMARY WALL CONSTRUCTION AND INSULATION  
NOT BY METALWERKS. 16 GAGE METAL STUDS  
MINIMUM REQUIRED



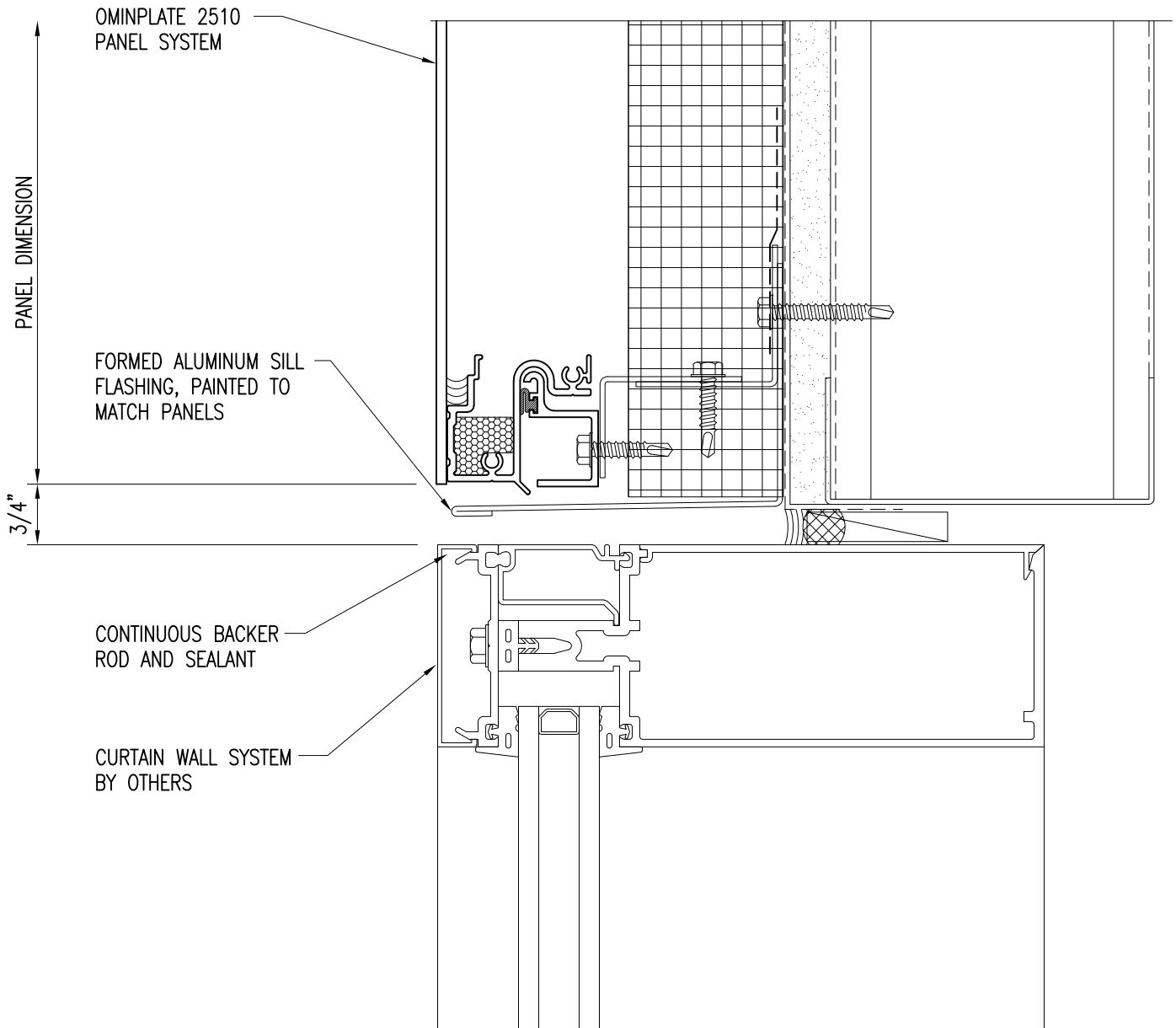
## 4) Panel Jamb





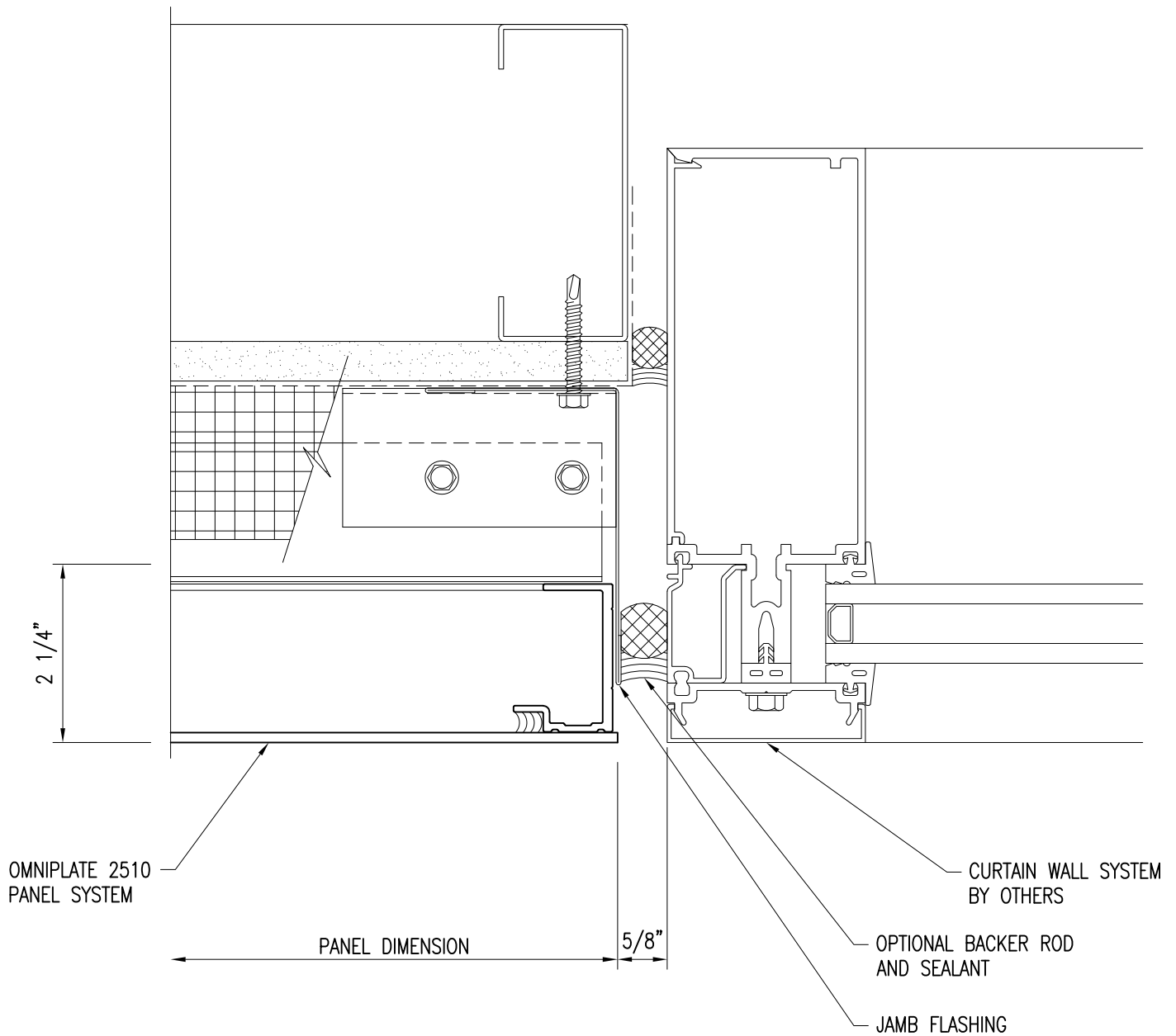
PRIMARY WALL CONSTRUCTION AND INSULATION NOT BY METALWERKS. 16 GAGE METAL STUDS MINIMUM REQUIRED

## 5) Curtain Wall Sill



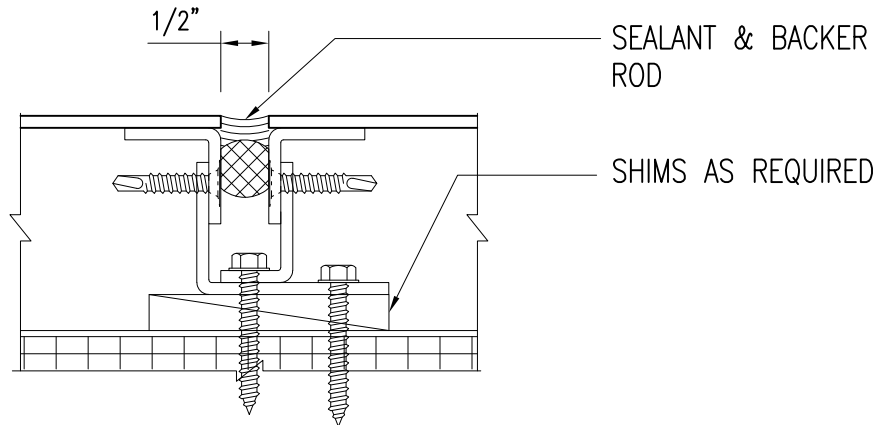
PRIMARY WALL CONSTRUCTION AND INSULATION  
NOT BY METALWERKS. 16 GAGE METAL STUDS  
MINIMUM REQUIRED

## 6) Curtain Wall Head



## 7) Curtain Wall Jamb

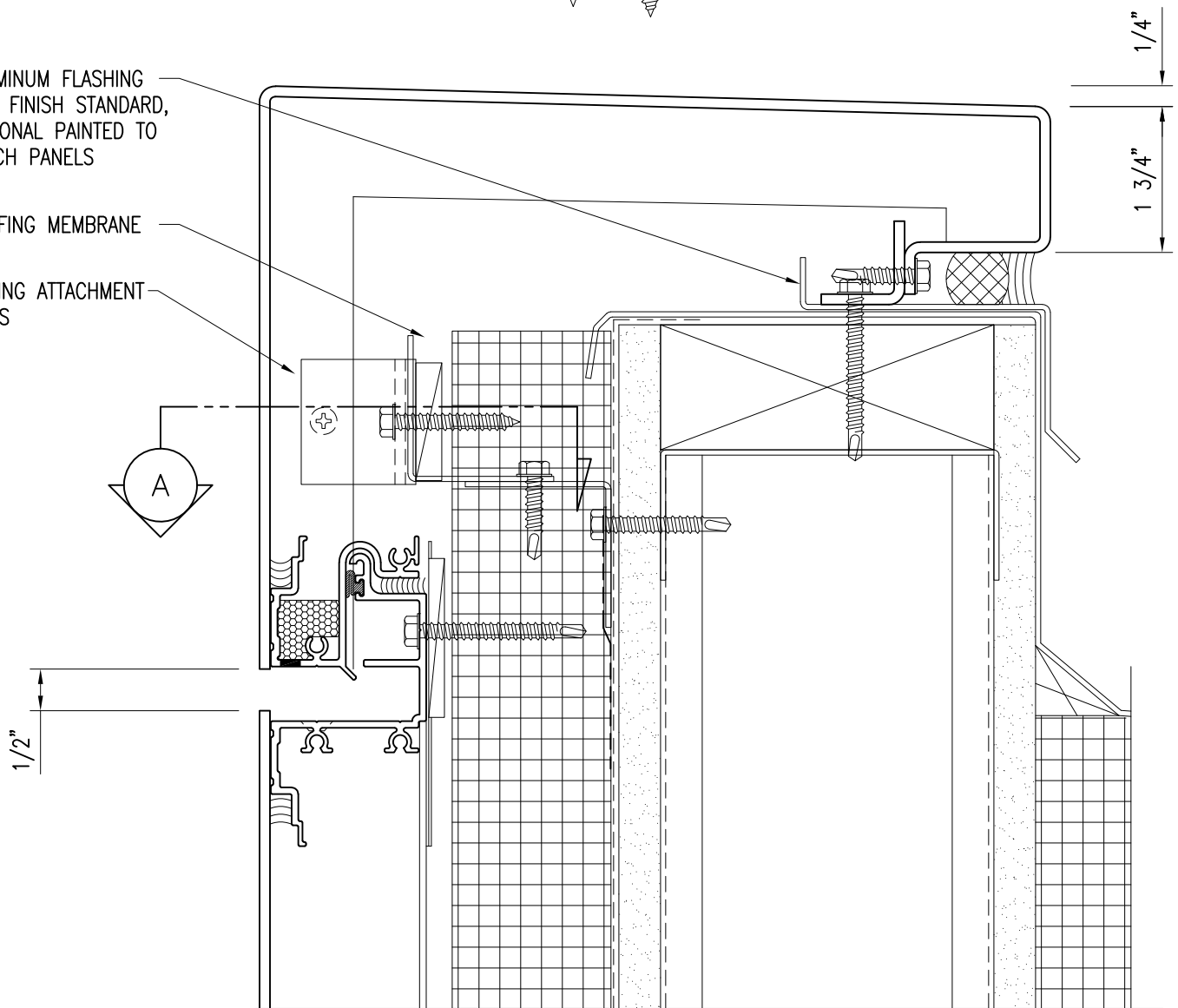
**SECTION 'A'**



ALUMINUM FLASHING  
MILL FINISH STANDARD,  
OPTIONAL PAINTED TO  
MATCH PANELS

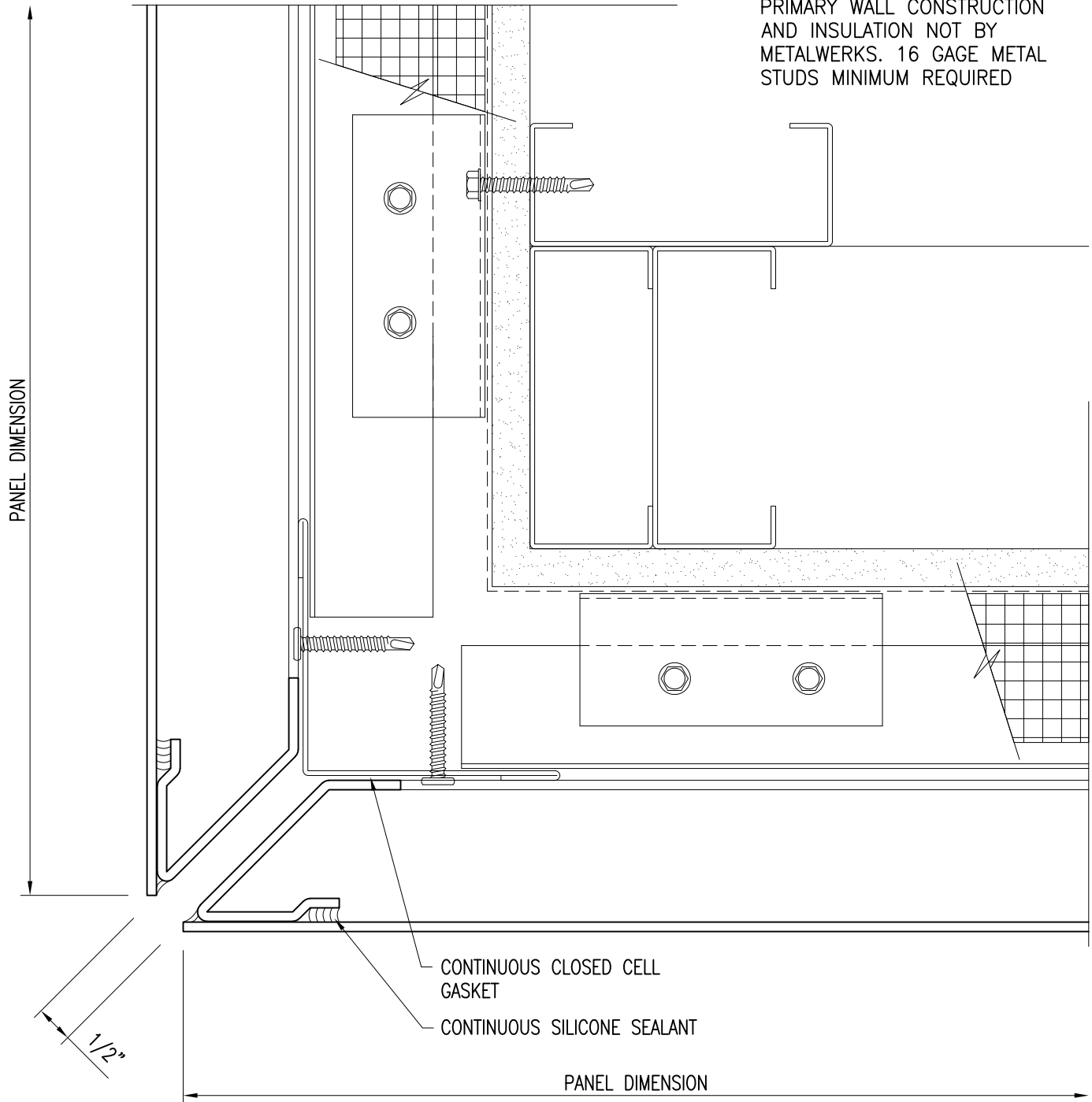
ROOFING MEMBRANE

COPING ATTACHMENT  
CLIPS

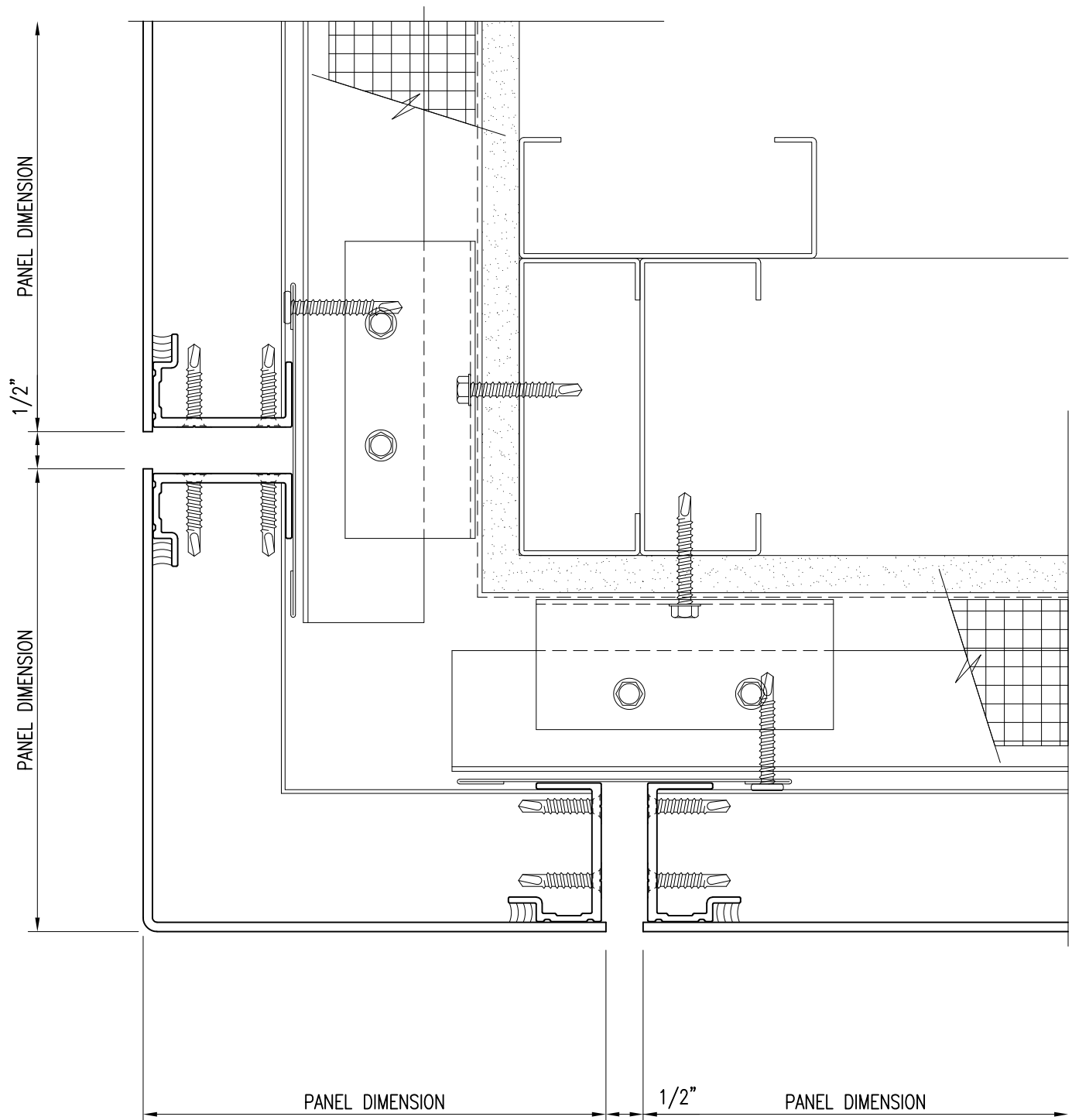


## 8) Coping

PRIMARY WALL CONSTRUCTION  
AND INSULATION NOT BY  
METALWERKS. 16 GAGE METAL  
STUDS MINIMUM REQUIRED

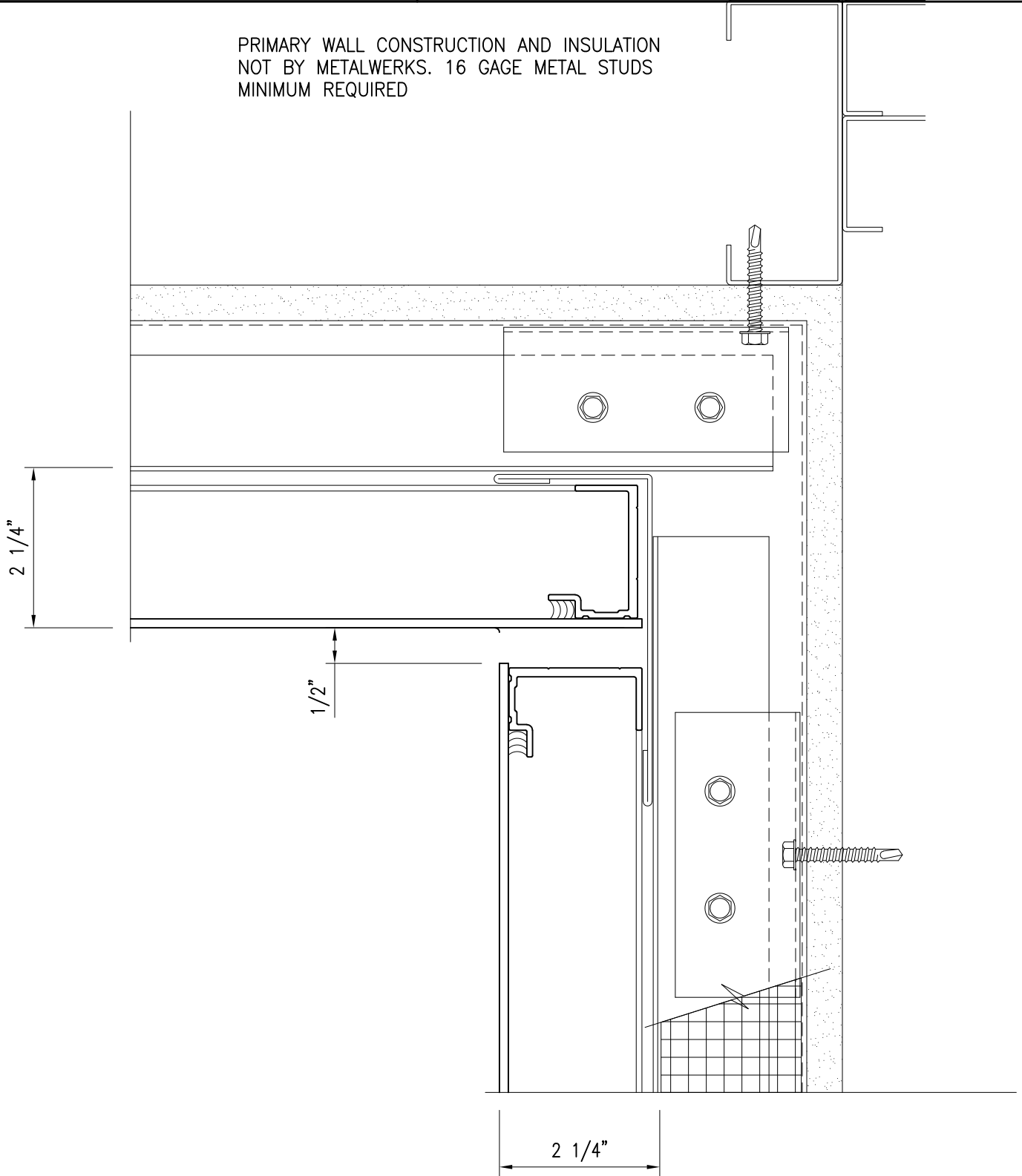


## 9) Standard Outside Corner



## 10) Outside Corner w/ Optional Mitered Panel

PRIMARY WALL CONSTRUCTION AND INSULATION  
NOT BY METALWERKS. 16 GAGE METAL STUDS  
MINIMUM REQUIRED



## 11) Standard Inside Corner